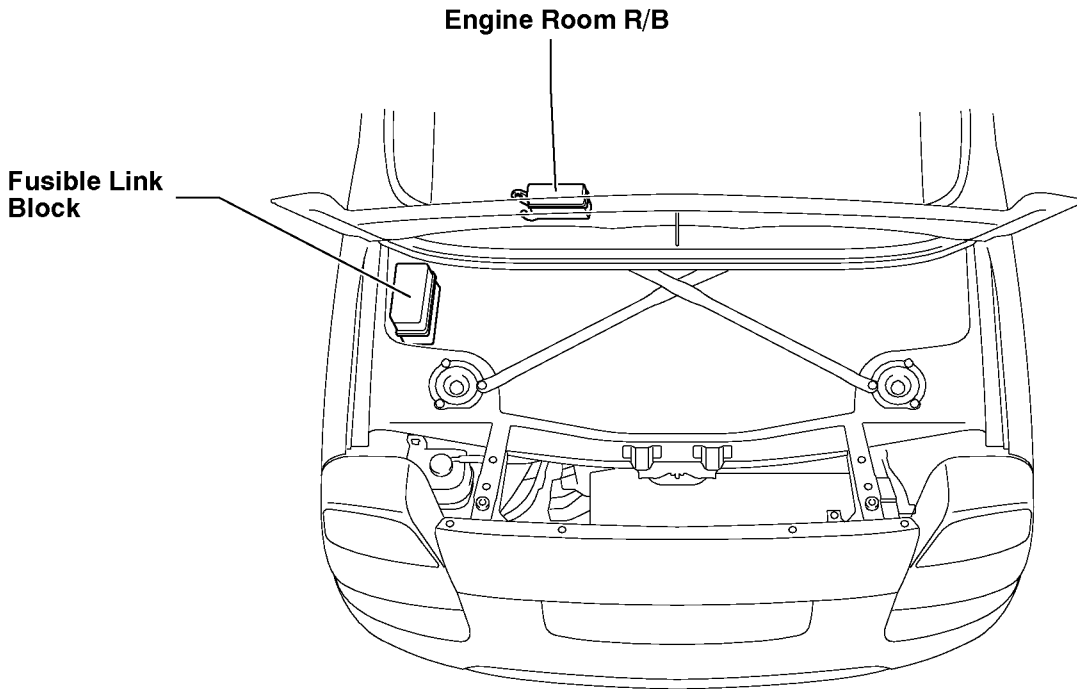
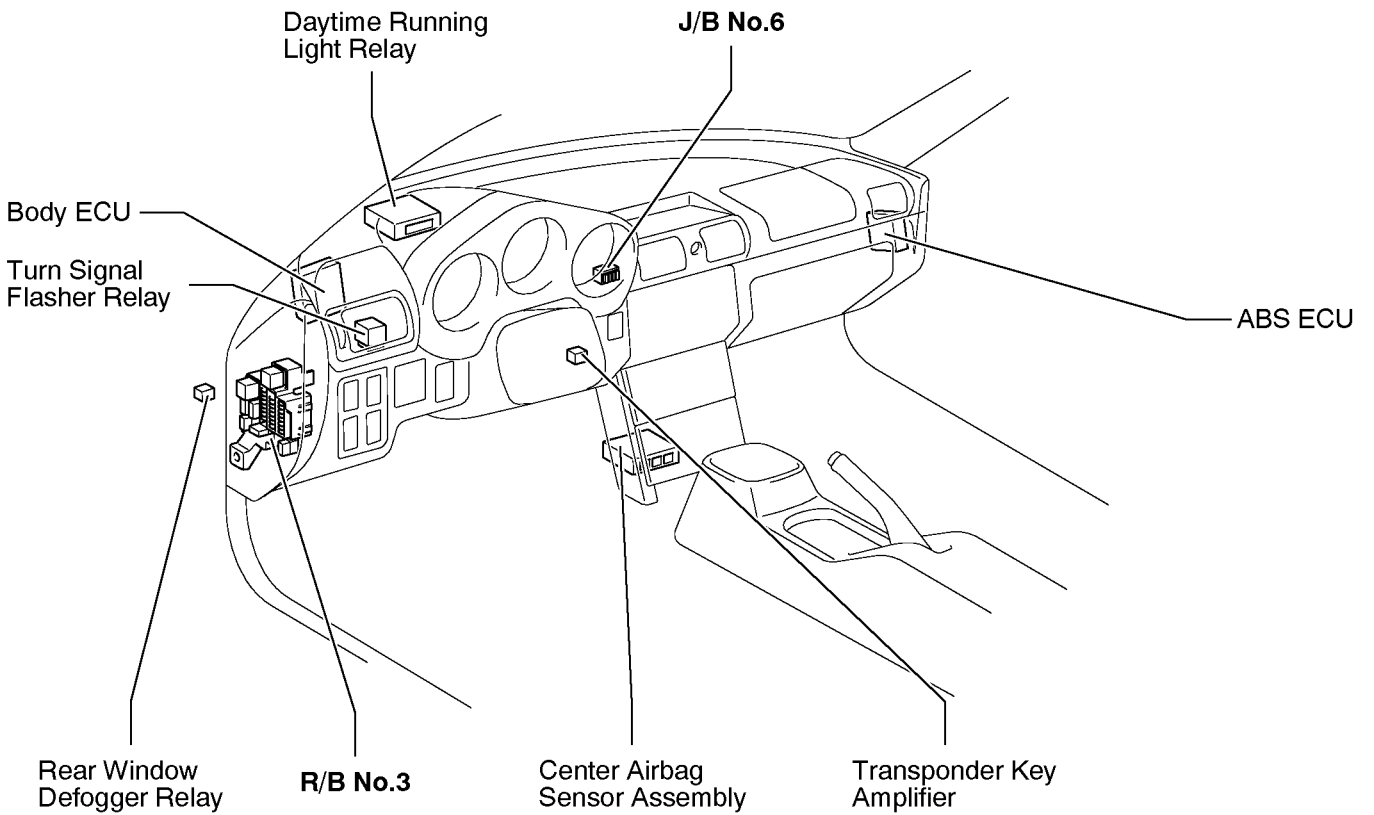


# F RELAY LOCATIONS

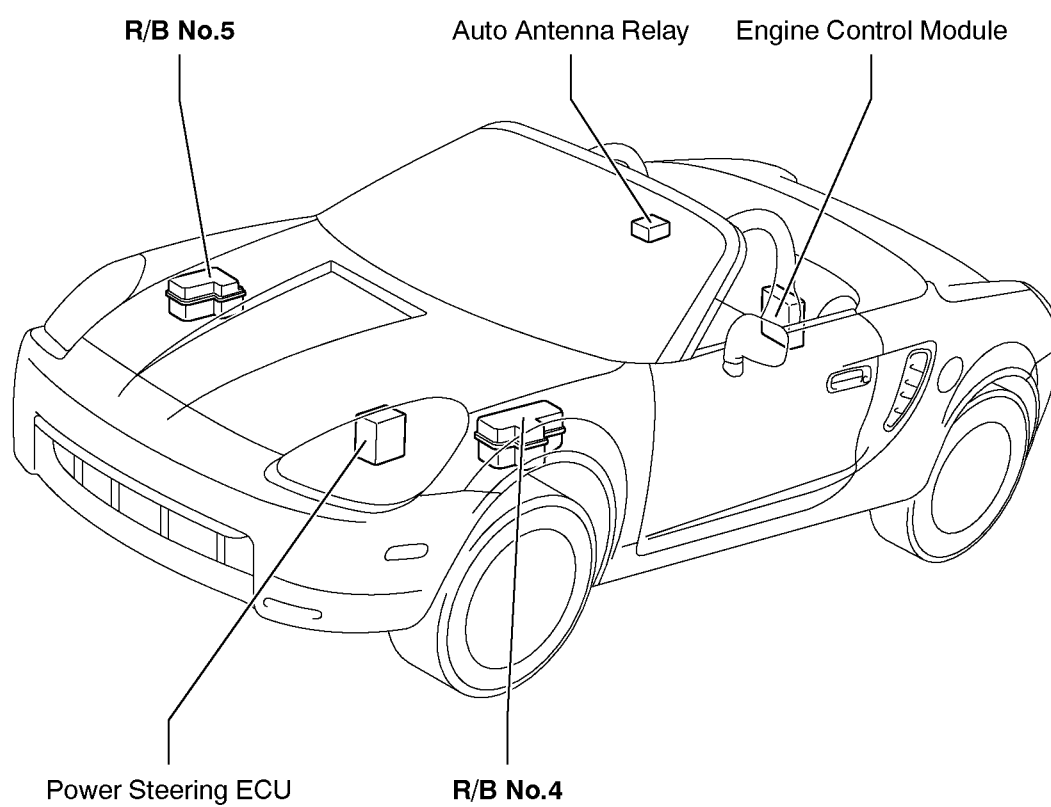
## [Engine Compartment]



## [Instrument Panel]

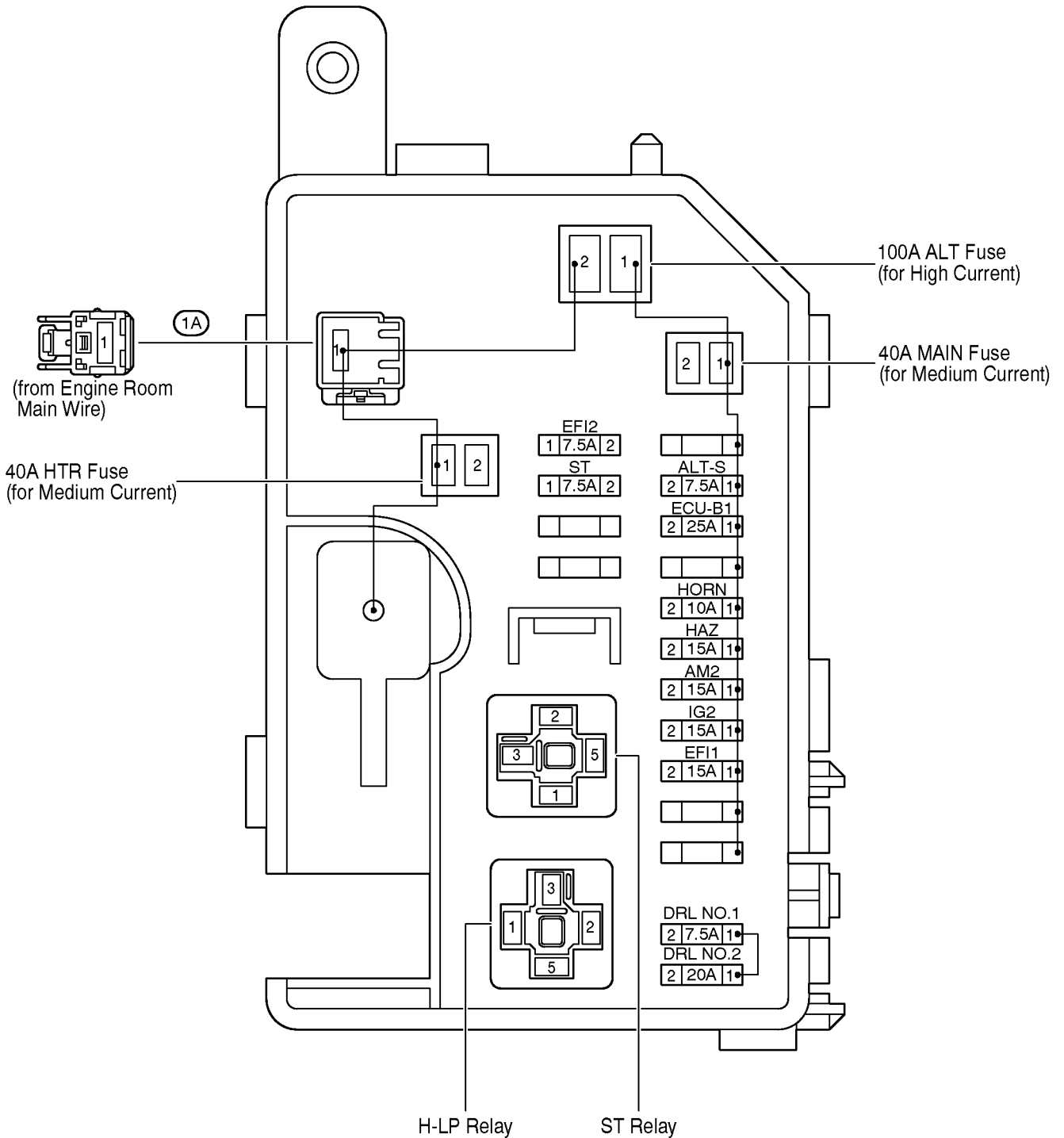


## [Body]

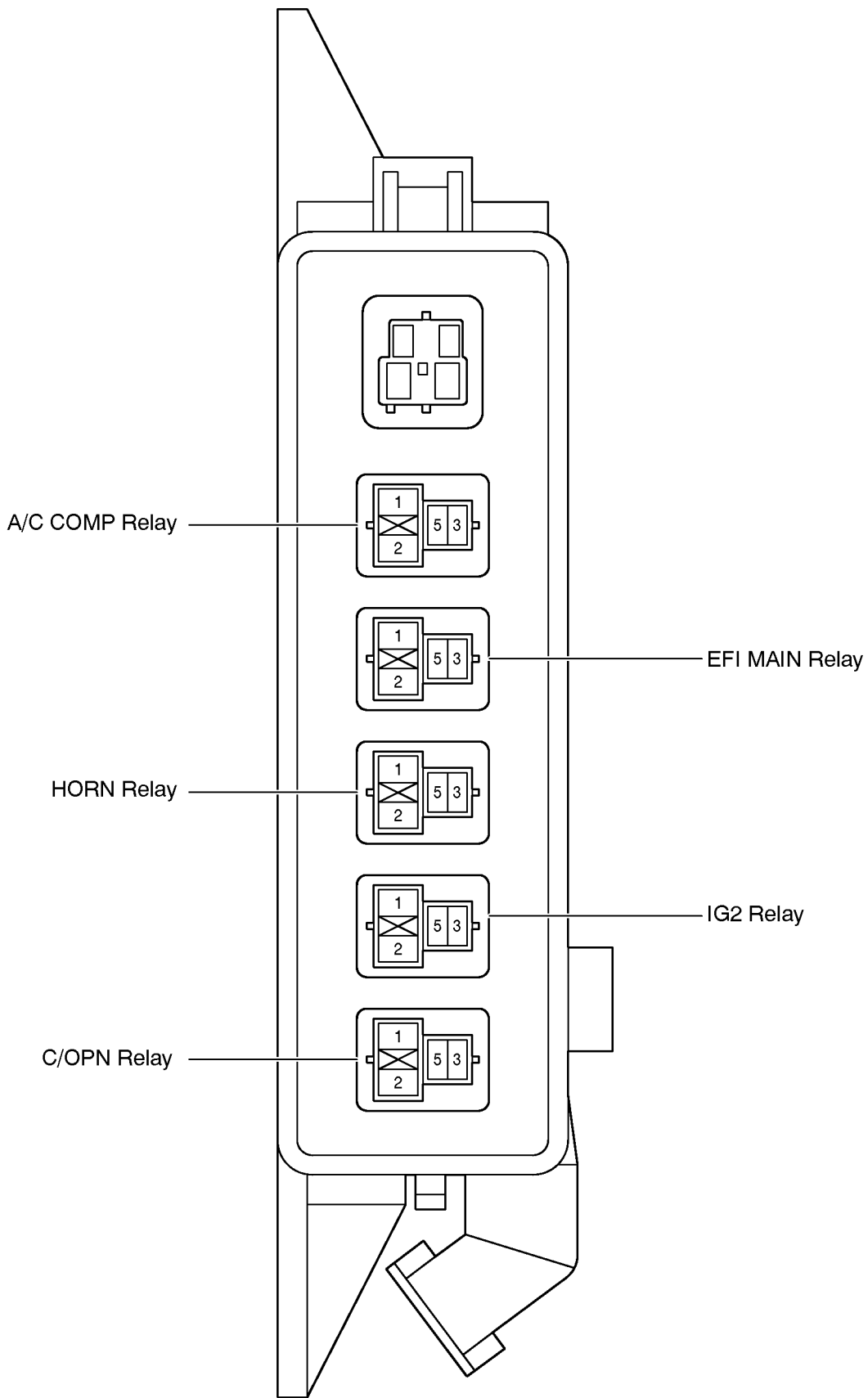


# F RELAY LOCATIONS

① : Fusible Link Block	<b>Engine Compartment Left (See Page 20)</b>
○ : J/B No.1	

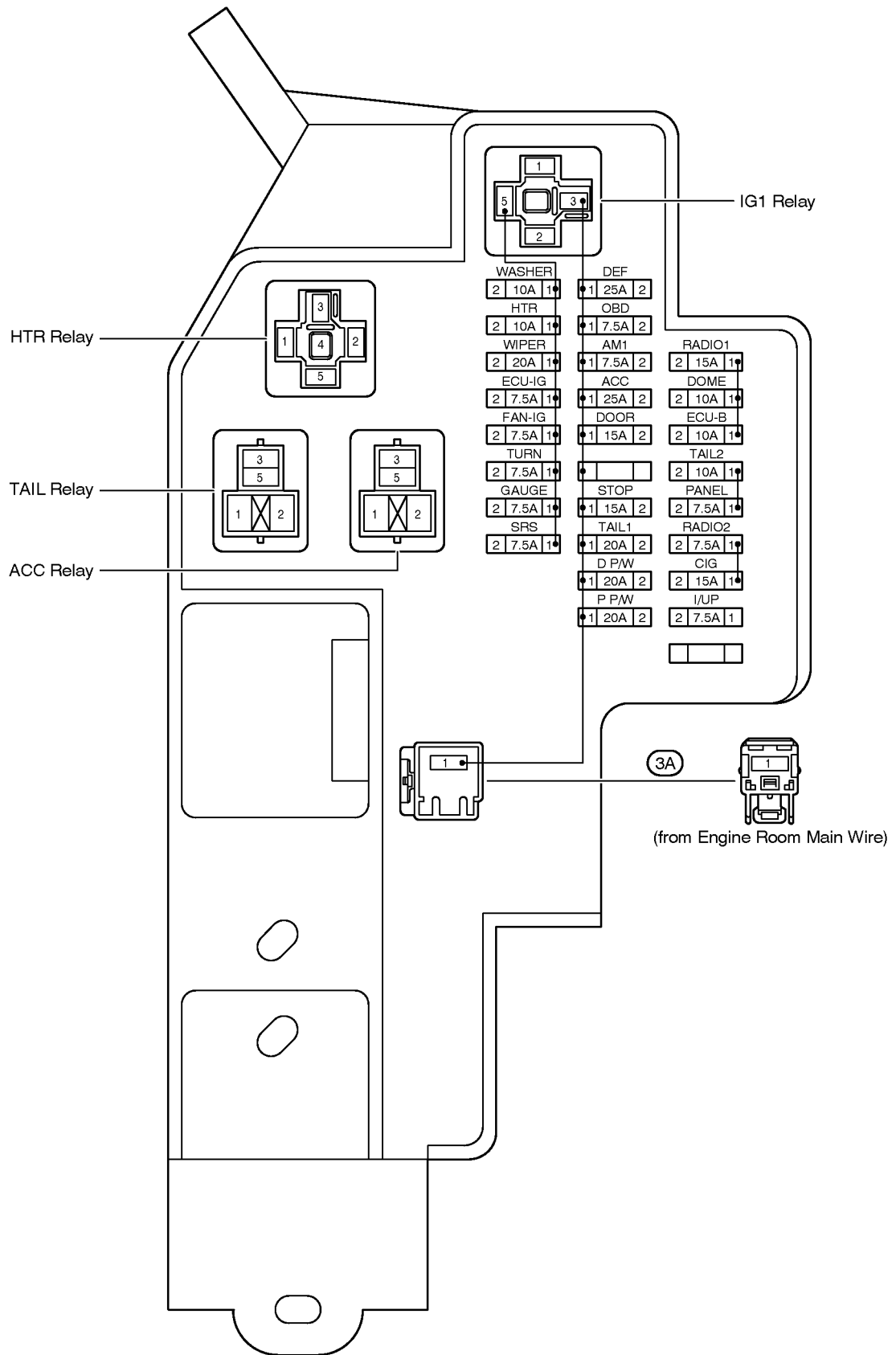


② : Engine Room R/B Left Side of Room Partition Panel  
(See Page 20)

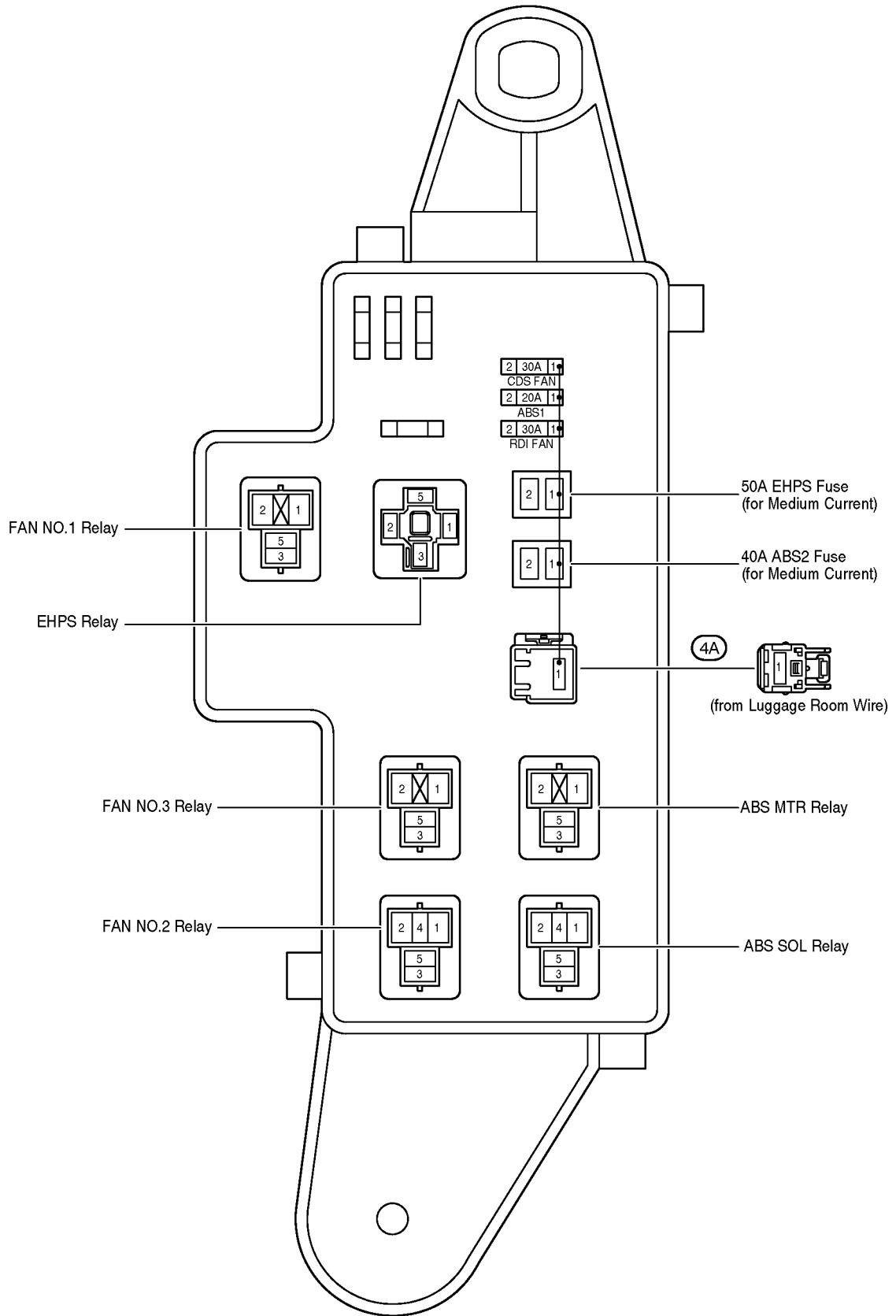


# F RELAY LOCATIONS

③ : R/B No.3	<b>Left Side of Instrument Panel (See Page 20)</b>
○ : J/B No.3	

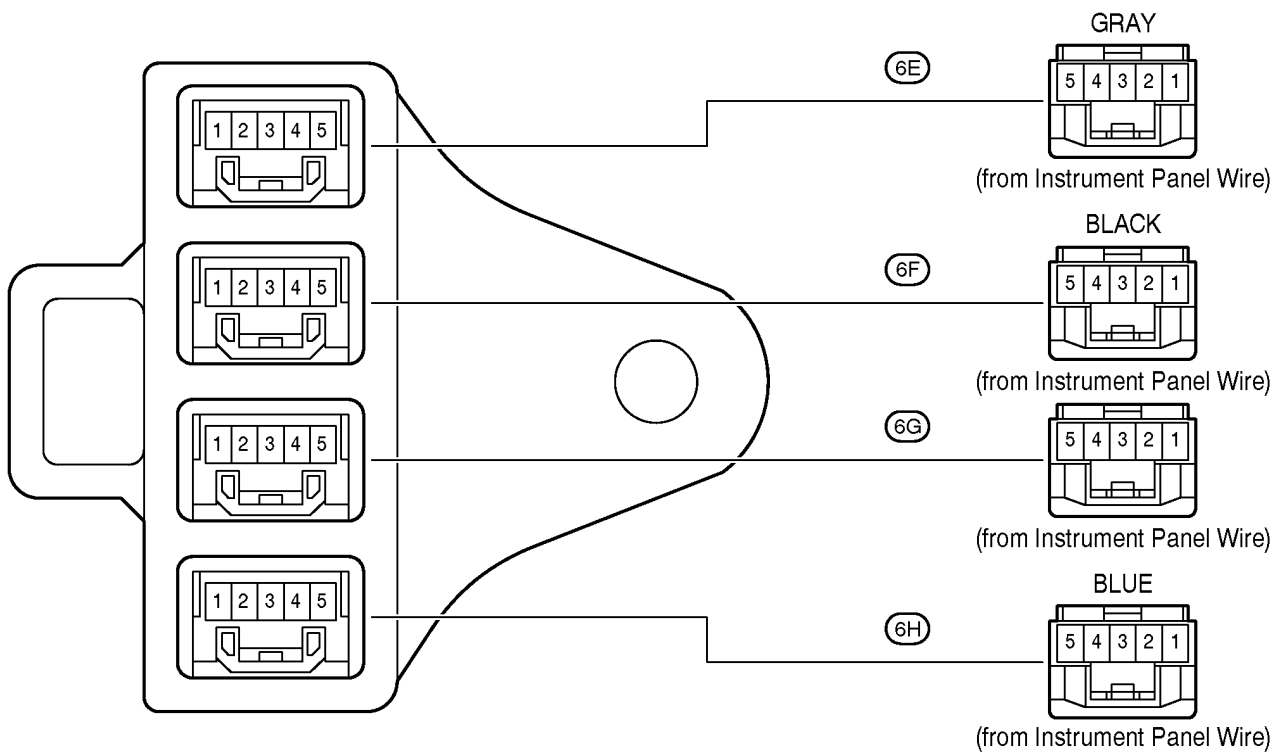
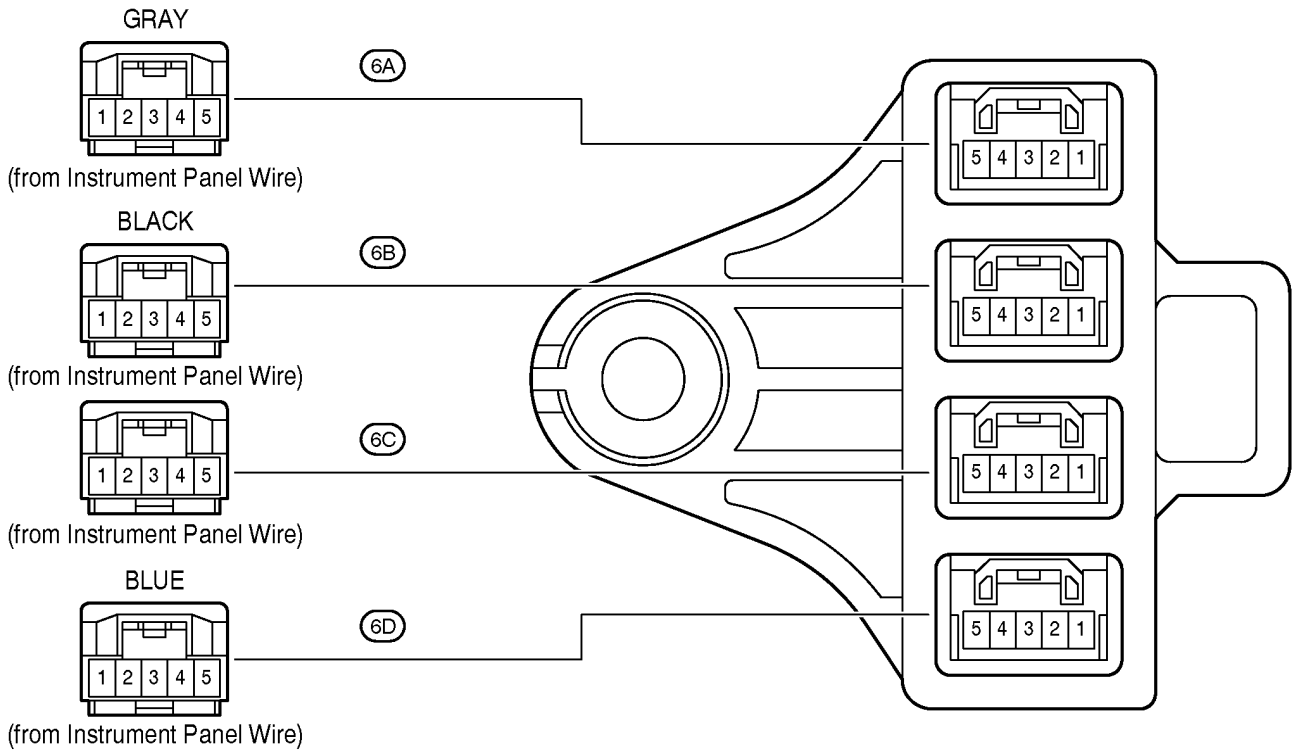


<p>④ : R/B No.4</p> <p>○ : J/B No.4</p>	<p><b>Front Compartment Left (See Page 21)</b></p>
---	--

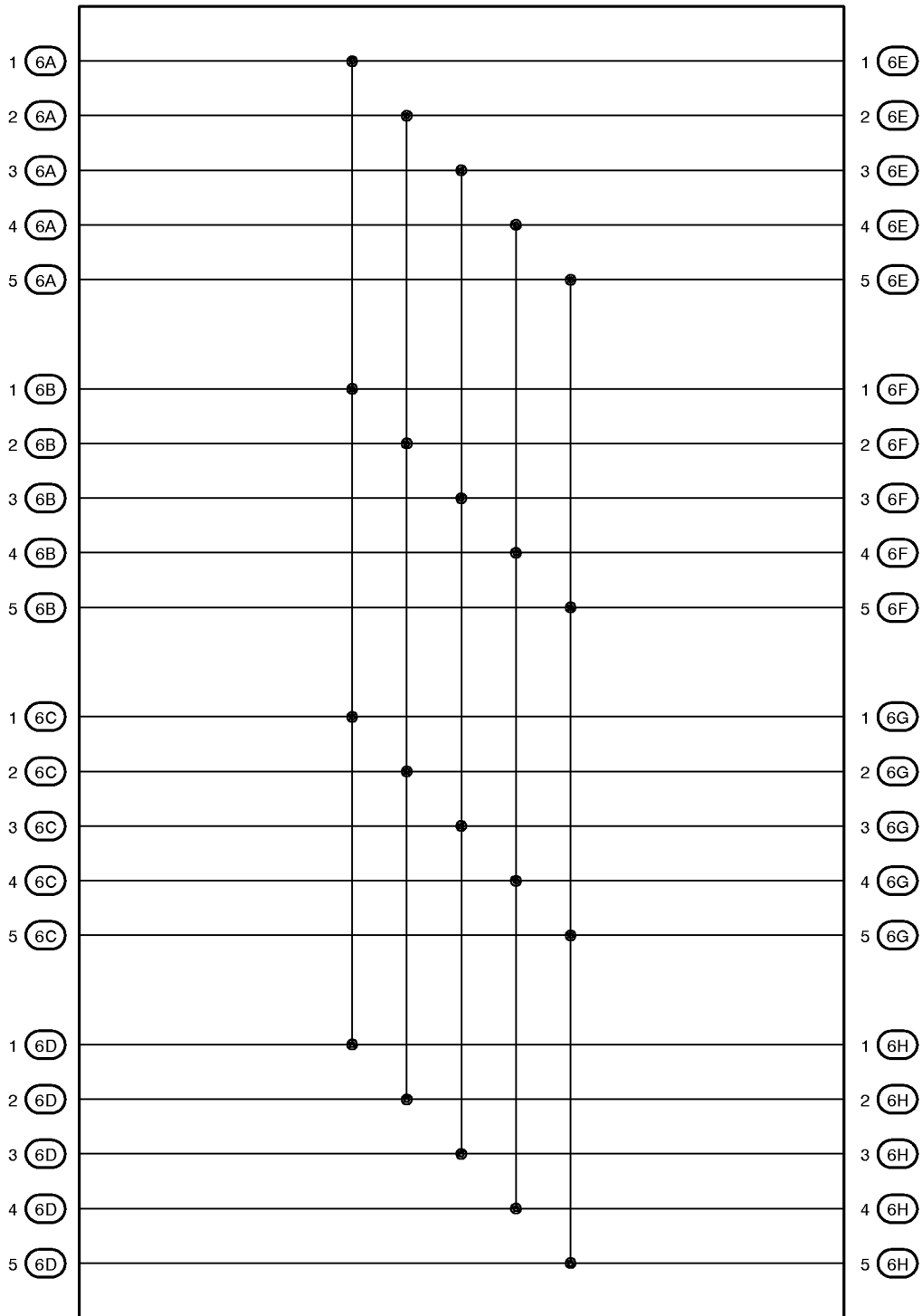


# F RELAY LOCATIONS

○ : J/B No.6      Instrument Panel Brace LH (See Page 20)



[J/B No.6 Inner Circuit]





# F RELAY LOCATIONS

⑤ : R/B No.5 Front Compartment Right (See Page 21)

