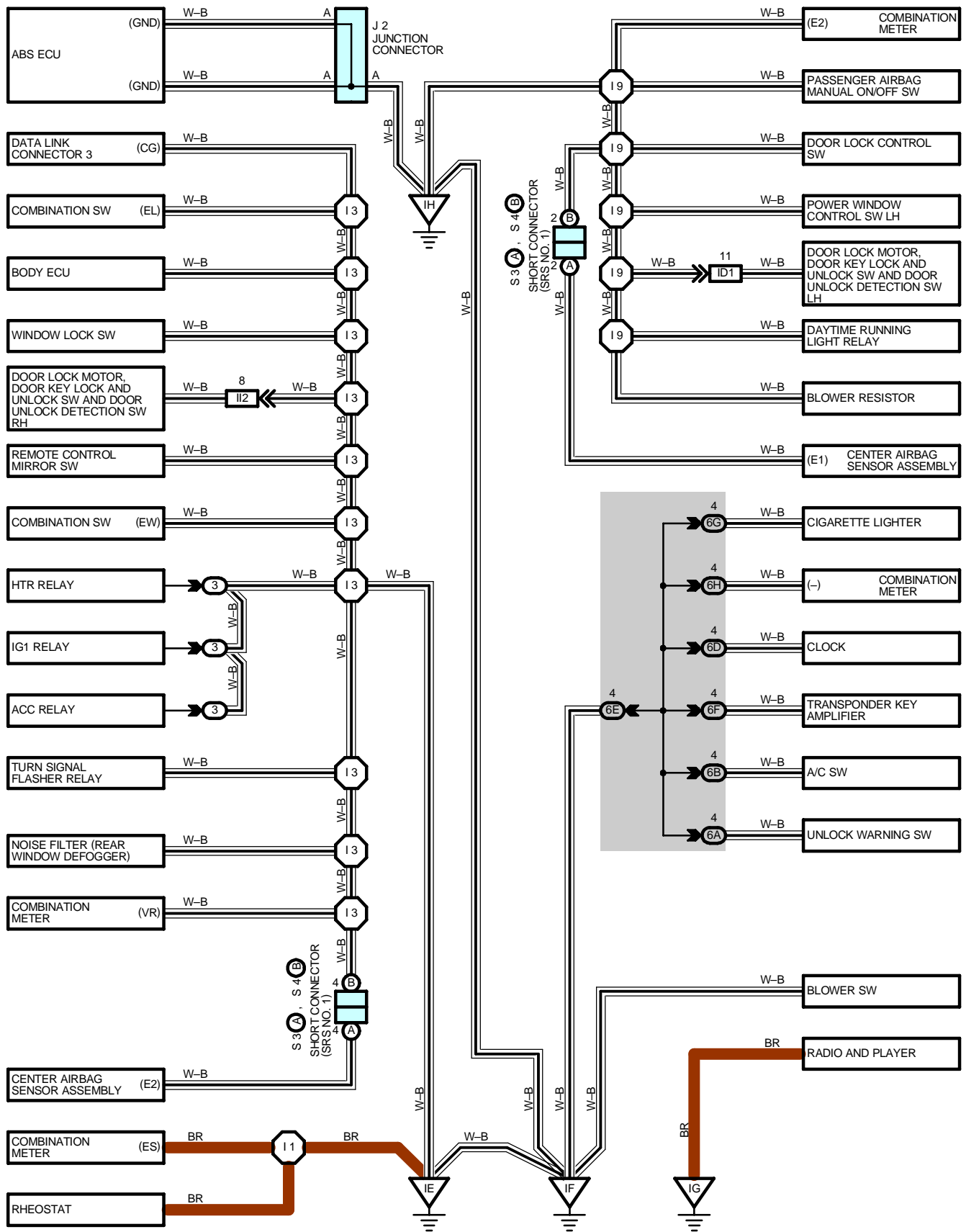
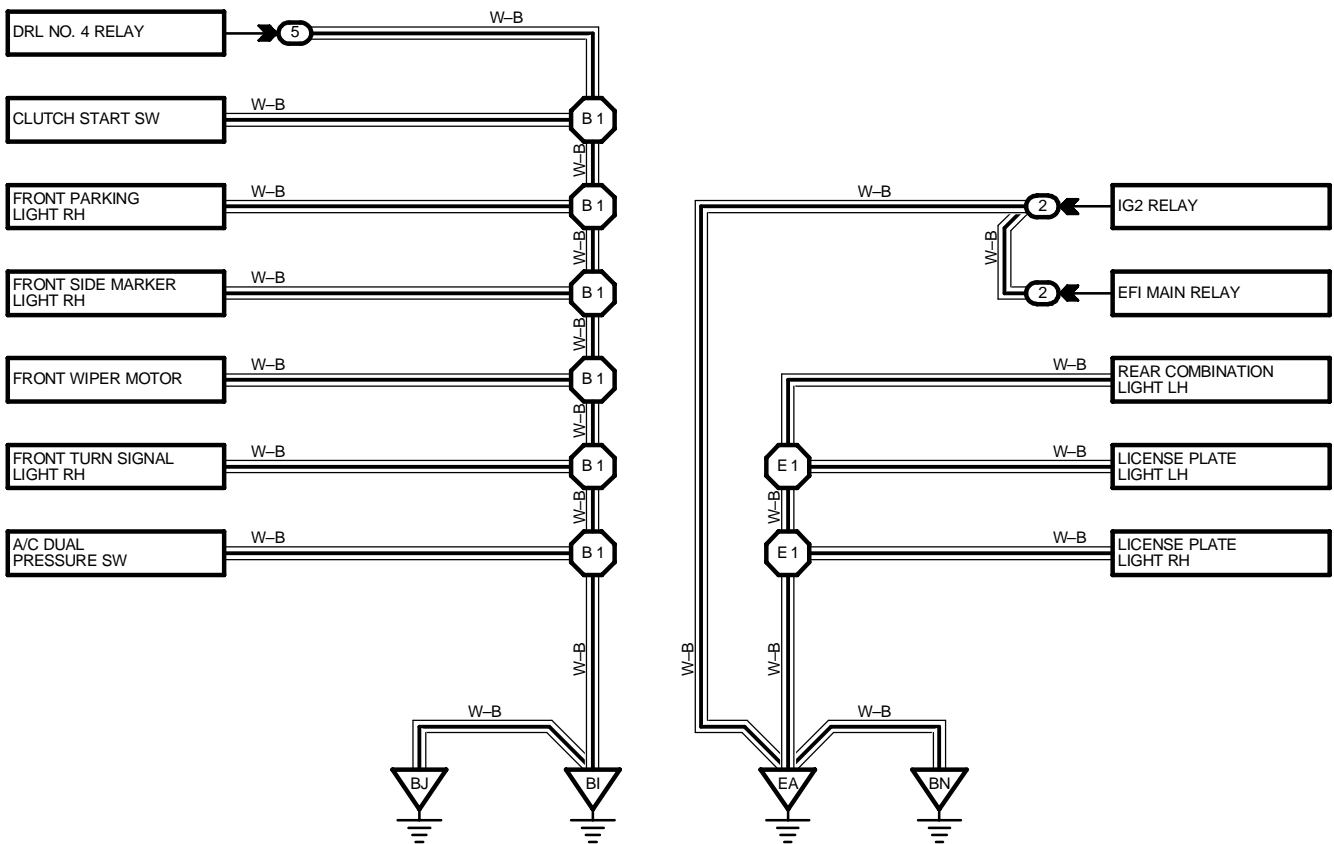
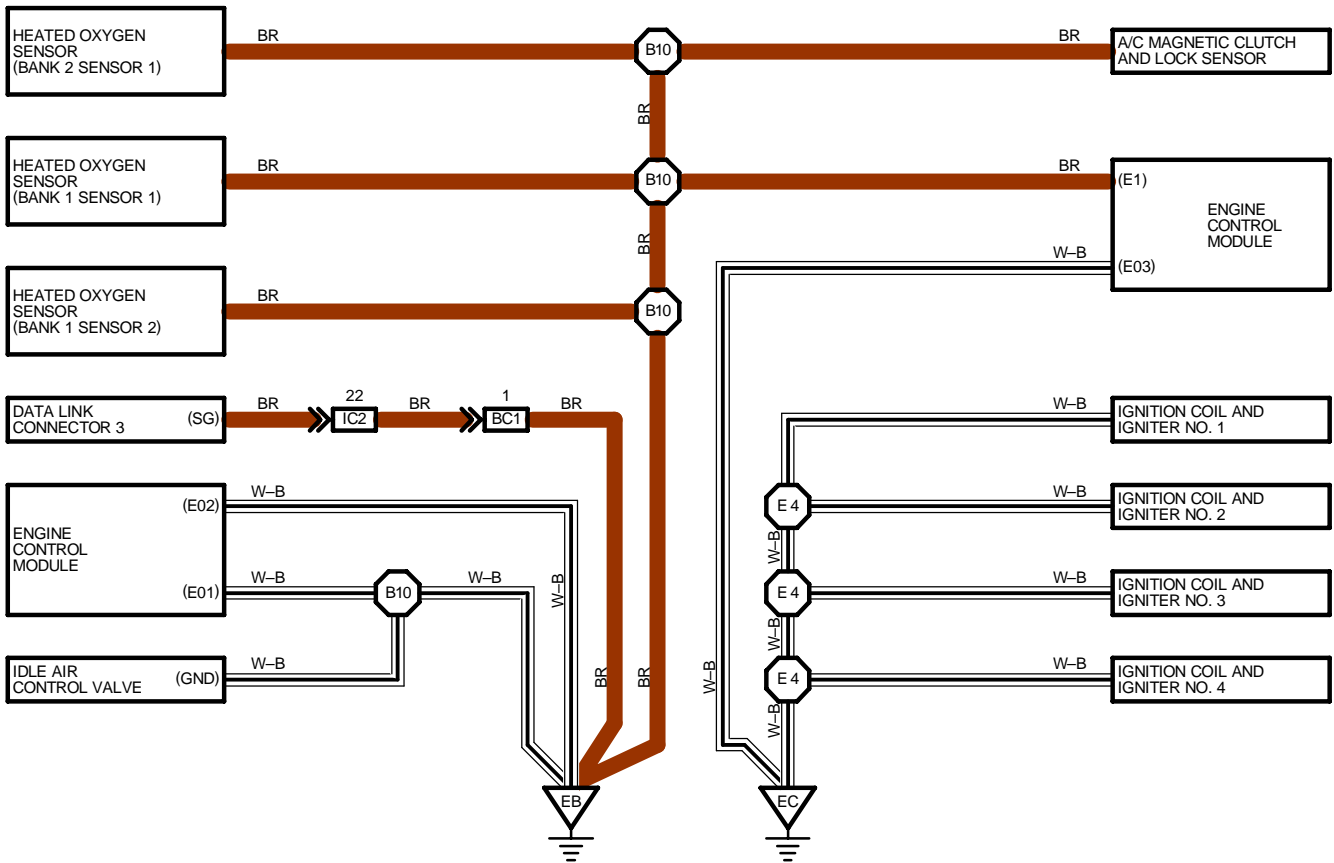
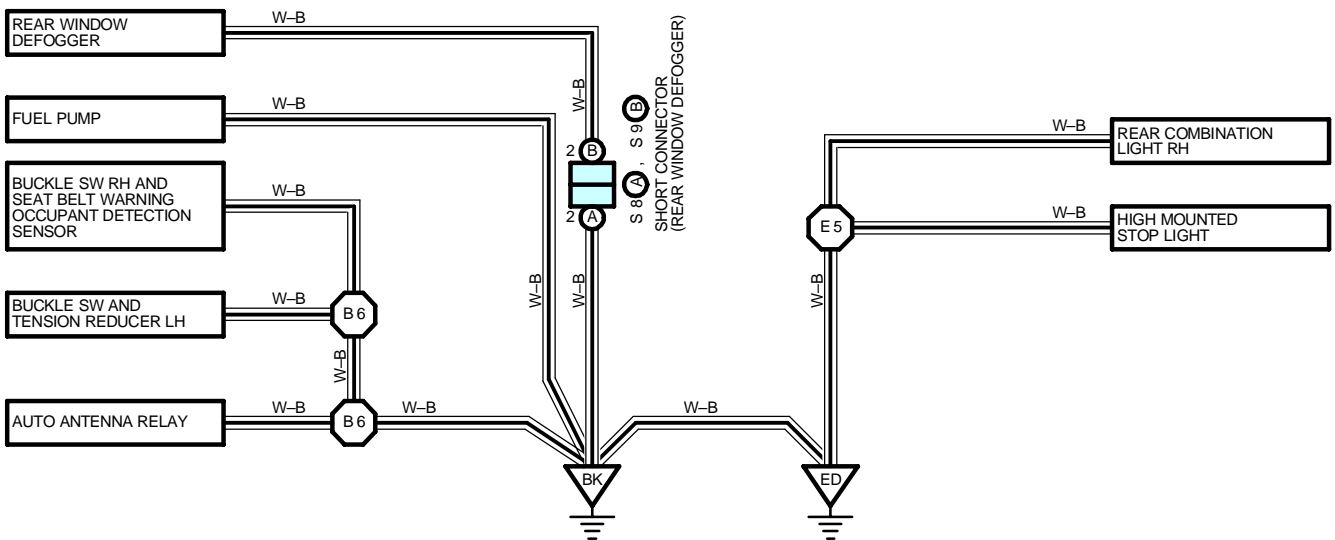
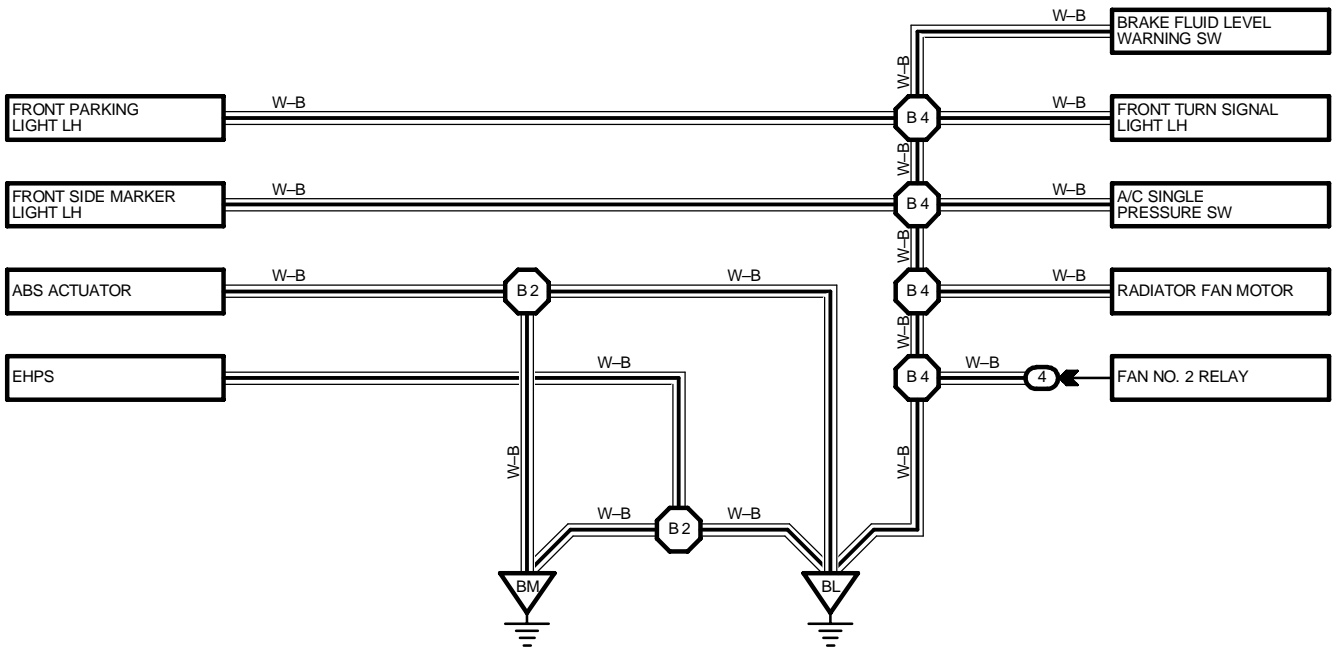


I GROUND POINT





I GROUND POINT



 : PARTS LOCATION

Code	See Page	Code	See Page	Code	See Page		
J2	33	S4	B	33	S9	B	35
S3	A	33	S8	A	35		

 : RELAY BLOCKS

Code	See Page	Relay Blocks (Relay Block Location)
2	23	Engine Room R/B (Left Side of Room Partition Panel)
3	24	R/B No.3 (Left Side of Instrument Panel)
4	25	R/B No.4 (Front Compartment Left)
5	28	R/B No.5 (Front Compartment Right)

 : JUNCTION BLOCK AND WIRE HARNESS CONNECTOR

Code	See Page	Junction Block and Wire Harness (Connector Location)
6A	26	Instrument Panel Wire and J/B No.6 (Instrument Panel Brace LH)
6B		
6D		
6E		
6F		
6G		
6H		

 : CONNECTOR JOINING WIRE HARNESS AND WIRE HARNESS

Code	See Page	Joining Wire Harness and Wire Harness (Connector Location)
IC2	38	Engine Room Main Wire and Instrument Panel Wire (Left Kick Panel)
ID1	38	Front Door LH Wire and Instrument Panel Wire (Left Kick Panel)
II2	40	Front Door RH Wire and Instrument Panel Wire (Right Kick Panel)
BC1	42	Engine Wire and Engine Room Main Wire (Quarter Panel LH)

 : GROUND POINTS

Code	See Page	Ground Points Location
EA	36	Suspension Tower Rear LH
EB	36	Engine Block LH
EC		
ED	36	Suspension Tower Rear RH
IE	38	Left Kick Panel
IF	38	Instrument Panel Brace LH
IG	38	Instrument Panel Brace RH
IH	38	Right Kick Panel
BI	42	Suspension Tower Front RH
BJ		
BK	42	Under the Center Pillar RH
BL	42	Suspension Tower Front LH
BM		
BN	42	Under the Center Pillar LH

 : SPLICE POINTS

Code	See Page	Wire Harness with Splice Points	Code	See Page	Wire Harness with Splice Points
E1	36	Engine Room Main Wire	B1	42	Luggage Room Wire
E4	36	Engine Wire	B2		
E5	36	Floor Wire	B4		
I1	40	Instrument Panel Wire	B6	42	Floor Wire
I3			B10	42	Engine Wire
I9					